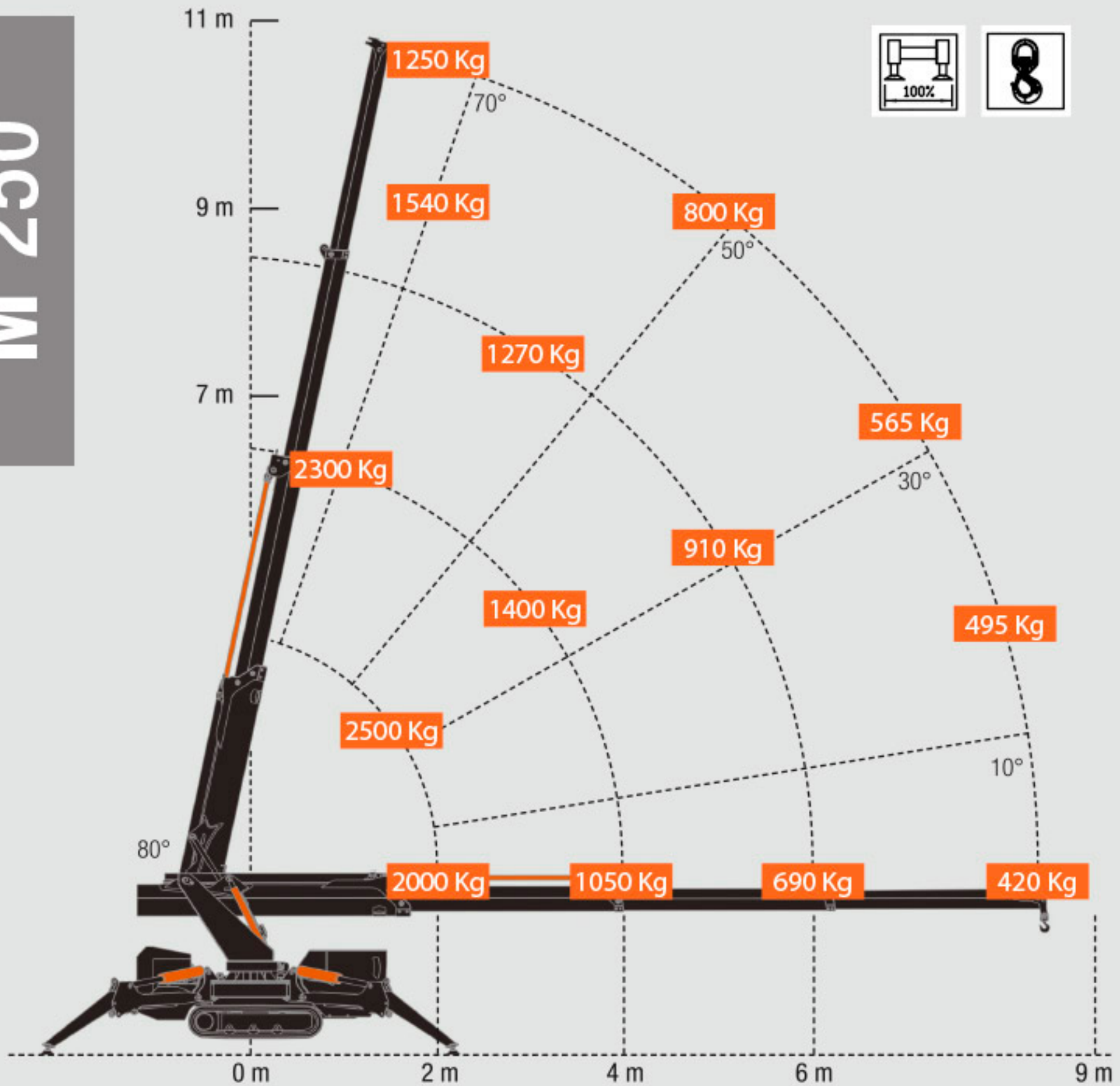
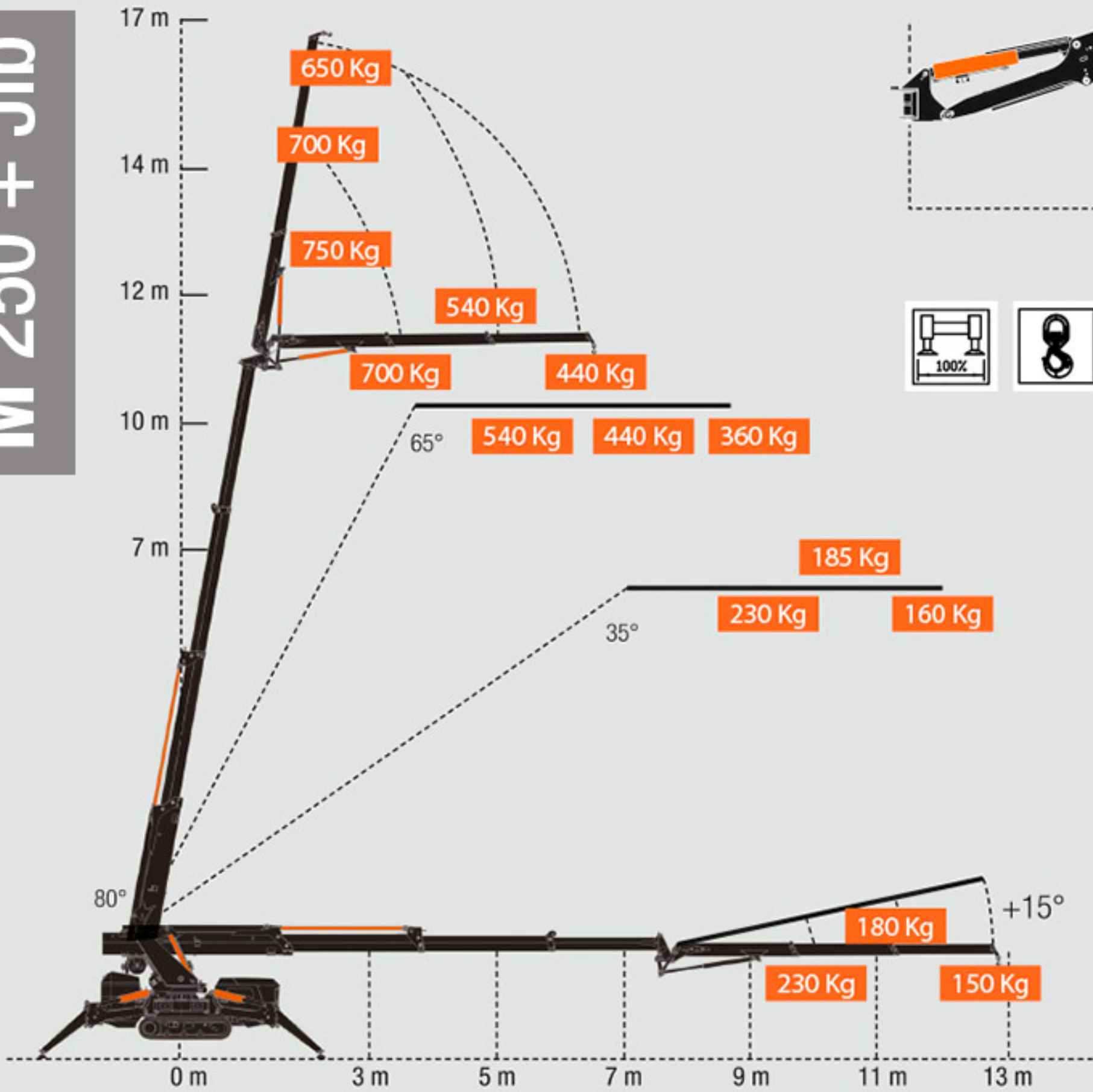




# M 250



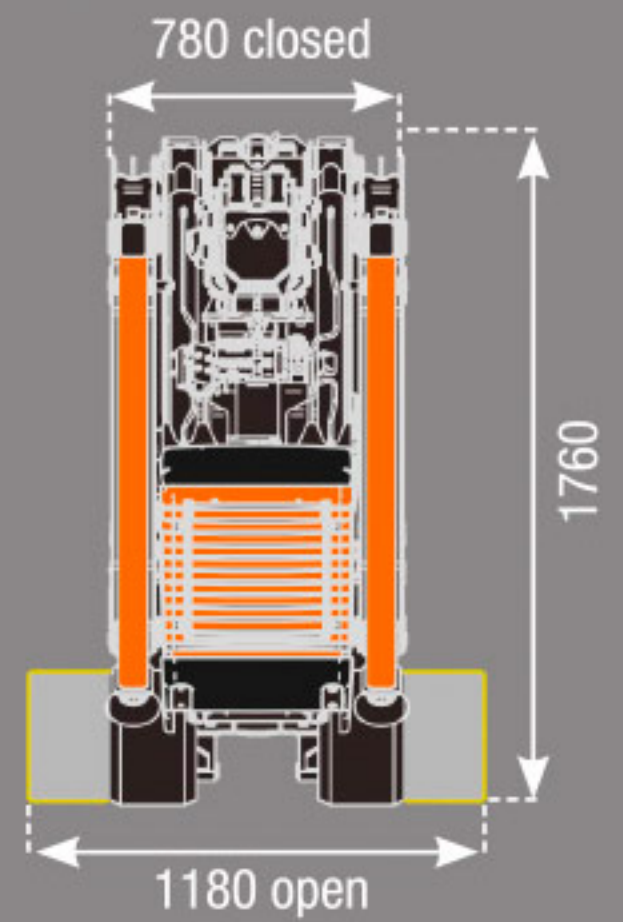
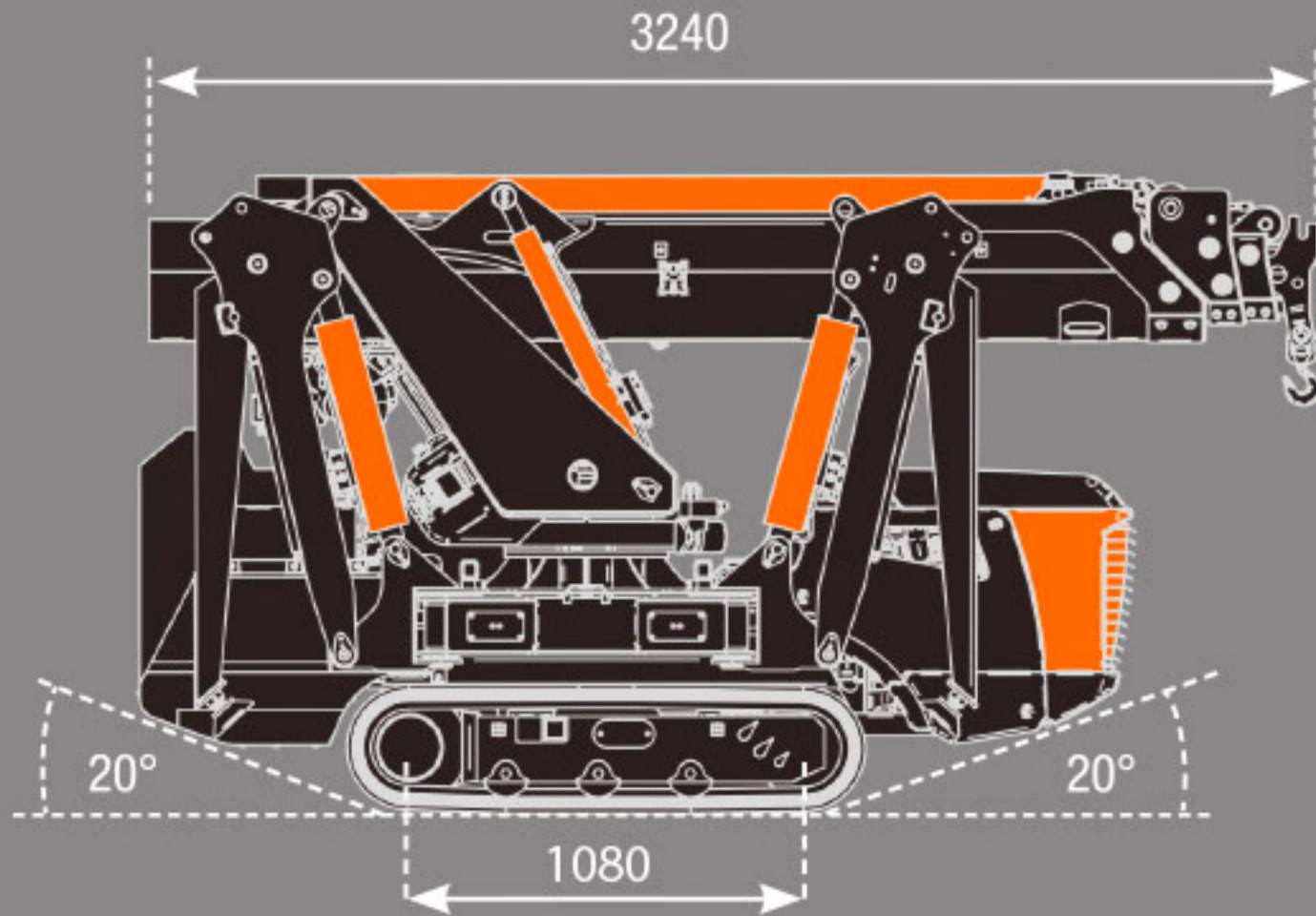
# M 250 + Jib



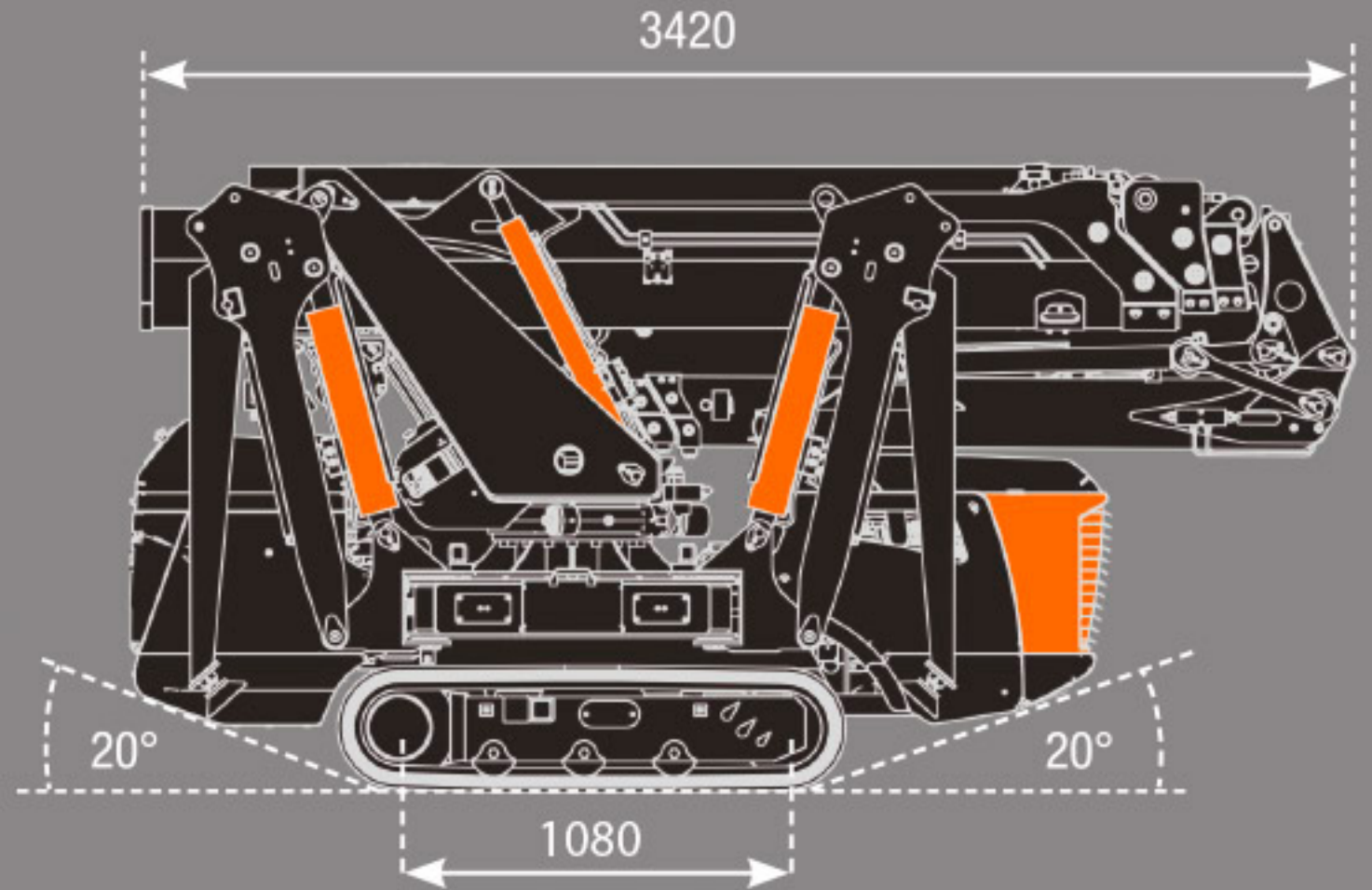
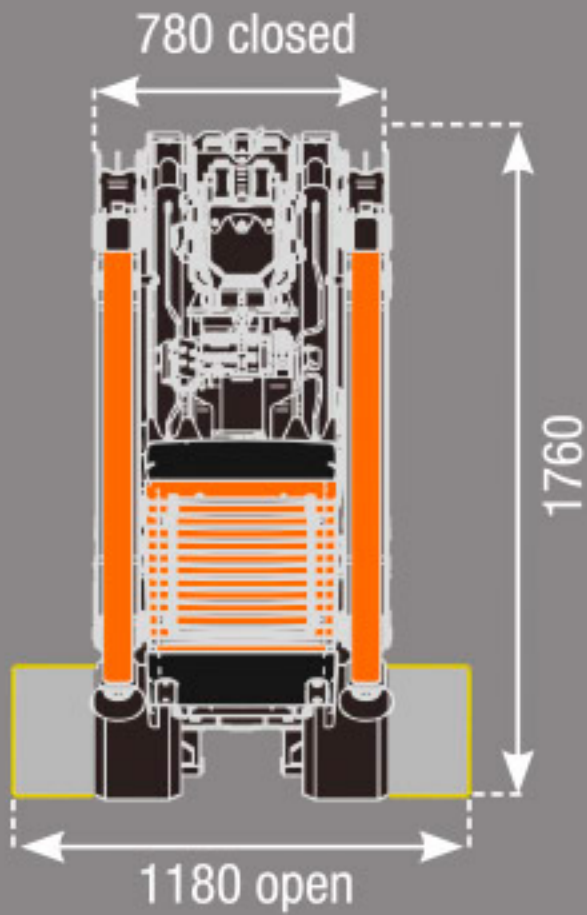
Technical data can be modified without prior notice



# M 250



# M 250 + Jib



# M 250

